

Models

- NTQPM-2A-0206-2** 2HP, 220-240 VAC
- NTQPM-2E-0206-4** 2HP, 440-480 VAC
- NTQPM-2H-0206-5** 2HP, 550-600 VAC

Key Features

- Greater than 50% reduction in wasted energy • Significantly lower current requirement (FLA) than AC induction motor alternatives, enabling lower cost drive options
- 4% to 20% reduction in energy usage
- Competitively priced to support market needs for low speed motors
- Maintains high efficiency under partial load
- Superior low speed torque
- Standard NEMA frame sizes for easy substitution
- UL listed

NovaTorque, Inc.

3501 Gateway Blvd.
Fremont, CA 94538

Tel: +1 (510) 933-2700

Fax: +1 (510) 933-2763

Email: info@novatorque.com

www.novatorque.com

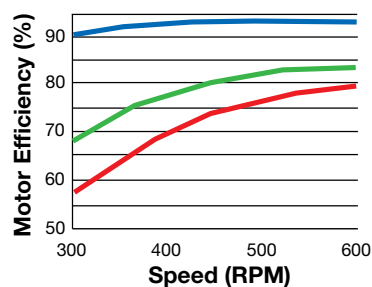


NovaTorque 2HP 600 RPM PremiumPlus+® Motors

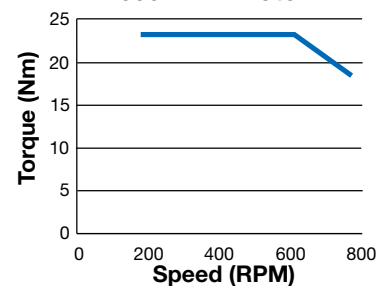
Electronically Commutated Permanent Magnet (ECPM) Motors

NovaTorque motors are Electronically Commutated Permanent Magnet (ECPM) motors, also referred to as PMAC (Permanent Magnet AC) Motors, designed for variable speed applications. Like all PM motors they are inherently more efficient than induction motors, and that efficiency advantage expands under partial load. Unlike conventional PM motors, NovaTorque's unique patented rotor and stator geometry focuses magnetic flux, allowing the use of low cost ferrite versus rare earth magnets to provide extraordinarily rapid payback on the initial investment.

**2HP Variable-Torque Application
600 RPM Motor**



**2HP Torque vs. Speed
600 RPM Motor**



- NovaTorque PremiumPlus+®
- Typical 6-Pole Induction Motor
- Typical 8-Pole Induction Motor

- Rated Torque

PRELIMINARY

2HP 600 RPM PremiumPlus+[®] Motors

Compatible Variable Frequency Drives (VFDs)

Like all permanent magnet motors, NovaTorque motors require a VFD to operate. Virtually all leading manufacturers of VFDs produce versions capable of sensorless control of PM motors. Consult NovaTorque Applications Engineering for compatible models and parameters.

Specifications

Model	NTQPM-2A-0206-2	NTQPM-2E-0206-4	NTQPM-2H-0206-5
Rated Power (HP)	2.0	2.0	2.0
Phases	3-Phase	3-Phase	3-Phase
Drive Supply Voltage	220-240 VAC	440-480 VAC	550-600 VAC
Rated Full Load Amps	4.8	2.4	2.0
Rated Efficiency	94.0	94.0	94.0
Rated Torque (Nm)	23.7	23.7	23.7
Rated Speed (RPM)	600	600	600
Rated Frequency (Hz)	30	30	30
Maximum Speed (RPM)	800	800	800
Service Factor	1.15	1.15	1.15
Frame Size	213T/215T	213T/215T	213T/215T
Enclosure	TEAO*/TEFC	TEAO*/TEFC	TEAO*/TEFC
Weight	134 lbs	134 lbs	134 lbs
Maximum Winding Temperature	130 °C	130 °C	130 °C
Insulation Grade	Class F	Class F	Class F
Ambient Temperature Rating	-25 to 40 °C	-25 to 40 °C	-25 to 40 °C
Ingress Protection	IP 41 Standard IP 54 Optional	IP 41 Standard IP 54 Optional	IP 41 Standard IP 54 Optional

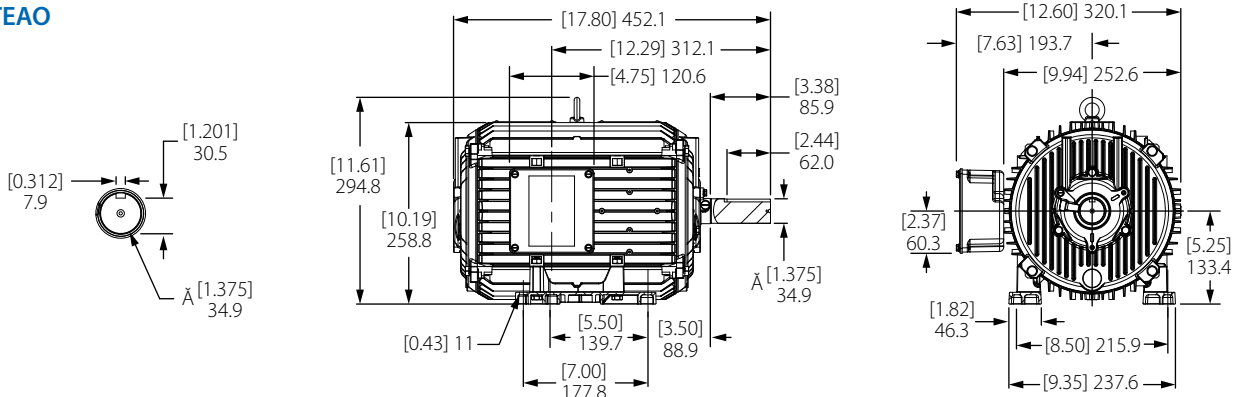
*Minimum 350 ft/minute linear air velocity over the motor

Dimensions

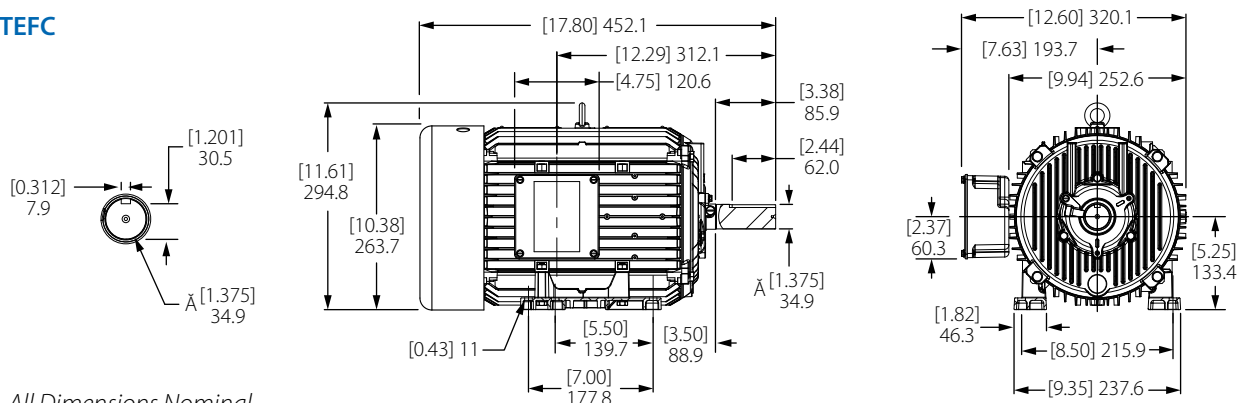
213T/215T

[in] mm

TEAO



TEFC



All Dimensions Nominal

For more information, visit the NovaTorque website, www.novatorque.com