

## 213T/215T TEAO/TEFC

### Models

- NTQPM-22-1536-2** 15HP, 220-240 VAC
- NTQPM-29-1536-4** 15HP, 440-480 VAC
- NTQPM-25-1536-5** 15HP, 550-600 VAC

### Key Features

- 30% to 50% reduction in wasted energy
- 4% to 20% reduction in energy usage
- Rapid payback – typically less than 18 months
- Exceeds NEMA Premium & IE3/IE4 efficiency standards
- Maintains high efficiency under partial load
- Superior low speed torque
- Standard NEMA frame sizes for easy substitution
- UL listed

### NovaTorque, Inc.

3501 Gateway Blvd.  
Fremont, CA 94538

Tel: +1 (510) 933-2700

Fax: +1 (510) 933-2763

Email: [info@novatorque.com](mailto:info@novatorque.com)

[www.novatorque.com](http://www.novatorque.com)

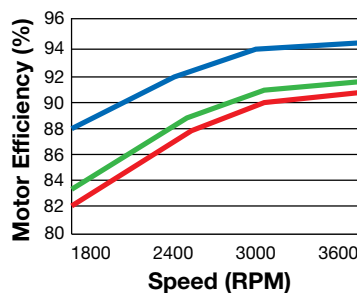


## NovaTorque 15HP 3600 RPM PremiumPlus+® Motors

### Electronically Commutated Permanent Magnet (ECPM) Motors

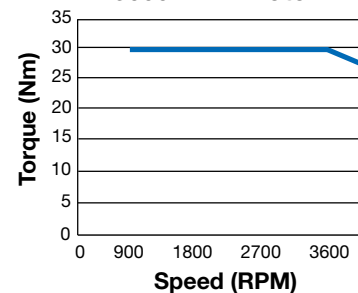
NovaTorque motors are Electronically Commutated Permanent Magnet (ECPM) motors, also referred to as PMAC (Permanent Magnet AC) Motors, designed for variable speed applications. Like all PM motors they are inherently more efficient than induction motors, and that efficiency advantage expands under partial load. Unlike conventional PM motors, NovaTorque's unique patented rotor and stator geometry focuses magnetic flux, allowing the use of low cost ferrite versus rare earth magnets to provide extraordinarily rapid payback on the initial investment.

**15HP Variable-Torque Application  
3600 RPM Motor**



— NovaTorque PremiumPlus+®  
— NEMA Premium® Induction  
— Epact

**15HP Torque vs. Speed  
3600 RPM Motor**



— Rated Torque

## 15HP 3600 RPM PremiumPlus+® Motors

### Compatible Variable Frequency Drives (VFDs)

Like all permanent magnet motors, NovaTorque motors require a VFD to operate. Virtually all leading manufacturers of VFDs produce versions capable of sensorless control of PM motors. Consult NovaTorque Applications Engineering for compatible models and parameters.

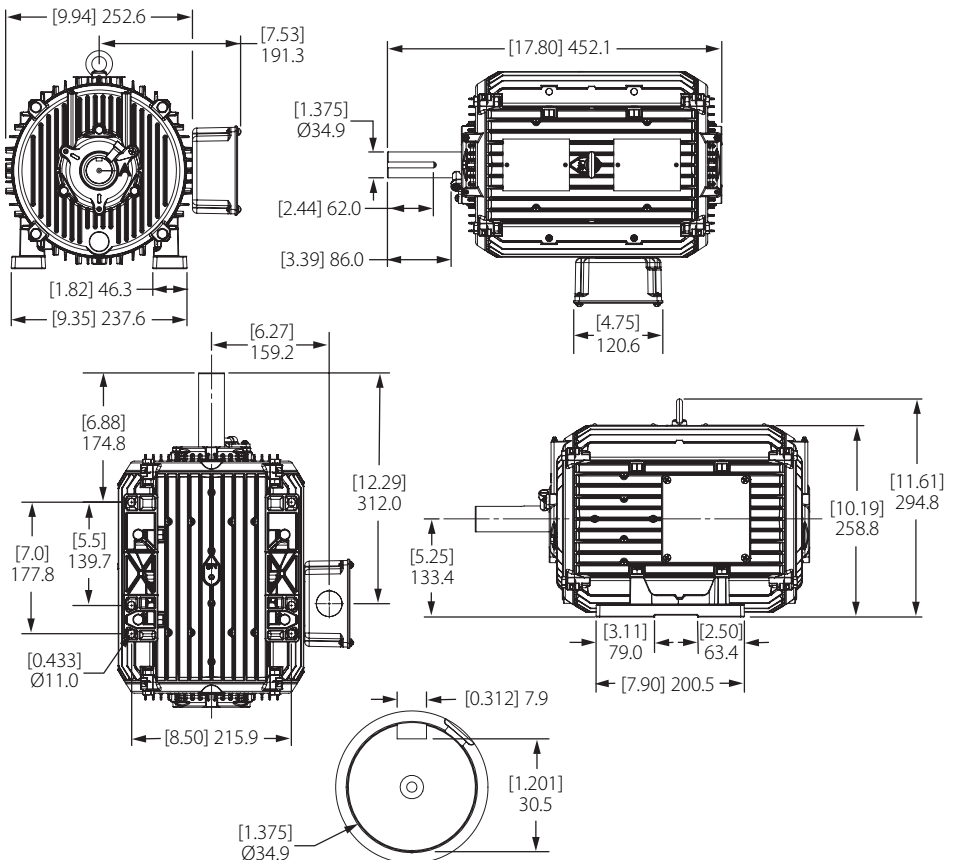
## Specifications

Model	NTQPM-22-1536-2	NTQPM-29-1536-4	NTQPM-25-1536-5
Rated Power (HP)	15.0	15.0	15.0
Phases	3-Phase	3-Phase	3-Phase
Drive Supply Voltage	220-240 VAC	440-480 VAC	550-600 VAC
Rated Full Load Amps	33.0	16.5	13.2
Rated Efficiency	94.0	94.0	94.0
Rated Torque (Nm)	29.7	29.7	29.7
Rated Speed (RPM)	3600	3600	3600
Rated Frequency (Hz)	180	180	180
Maximum Speed (RPM)	4000	4000	4000
Service Factor	1.15	1.15	1.15
Frame Size	213T/215T	213T/215T	213T/215T
Enclosure	TEAO/TEFC	TEAO/TEFC	TEAO/TEFC
Weight	134 lbs	134 lbs	134 lbs
Maximum Winding Temperature	130 °C	130 °C	130 °C
Insulation Grade	Class F	Class F	
Ambient Temperature Rating	-25 to 40 °C	-25 to 40 °C	-25 to 40 °C
Ingress Protection	IP 44 Standard IP 54 Optional	IP 44 Standard IP 54 Optional	IP 44 Standard IP 54 Optional

## Dimensions

213T/215T

[in] mm



All Dimensions Nominal

For more information, visit the NovaTorque website, [www.novatorque.com](http://www.novatorque.com)