

Models

- NTQPM-1B-0106-2** 1HP, 220-240 VAC
- NTQPM-1F-0106-4** 1HP, 440-480 VAC
- NTQPM-1H-0106-5** 1HP, 550-600 VAC

Key Features

- Greater than 50% reduction in wasted energy
- Significantly lower current requirement (FLA) than AC induction motor alternatives, enabling lower cost drive options
- 4% to 20% reduction in energy usage
- Rapid payback – typically less than 18 months
- Maintains high efficiency under partial load
- Superior low speed torque
- Standard NEMA frame sizes for easy substitution
- UL listed

NovaTorque, Inc.

3501 Gateway Blvd.
Fremont, CA 94538

Tel: +1 (510) 933-2700

Fax: +1 (510) 933-2763

Email: info@novatorque.com

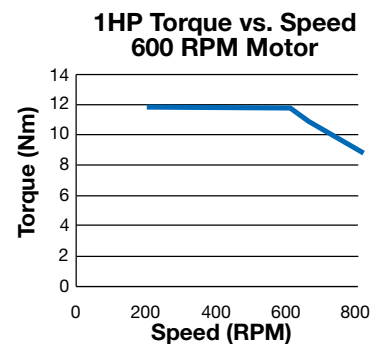
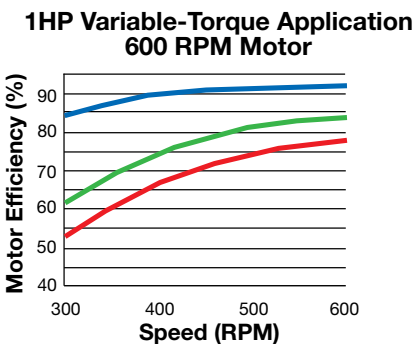
www.novatorque.com



NovaTorque 1HP 600 RPM PremiumPlus+® Motors

Electronically Commutated Permanent Magnet (ECPM) Motors

NovaTorque motors are Electronically Commutated Permanent Magnet (ECPM) motors, also referred to as PMAC (Permanent Magnet AC) Motors, designed for variable speed applications. Like all PM motors they are inherently more efficient than induction motors, and that efficiency advantage expands under partial load. Unlike conventional PM motors, NovaTorque's unique patented rotor and stator geometry focuses magnetic flux, allowing the use of low cost ferrite versus rare earth magnets to provide extraordinarily rapid payback on the initial investment.



- NovaTorque PremiumPlus+®
- Typical 6-Pole Induction Motor
- Typical 8-Pole Induction Motor

- Rated Torque

PRELIMINARY

1HP 600 RPM PremiumPlus+[®] Motors

Compatible Variable Frequency Drives (VFDs)

Like all permanent magnet motors, NovaTorque motors require a VFD to operate. Virtually all leading manufacturers of VFDs produce versions capable of sensorless control of PM motors. Consult NovaTorque Applications Engineering for compatible models and parameters.

Specifications

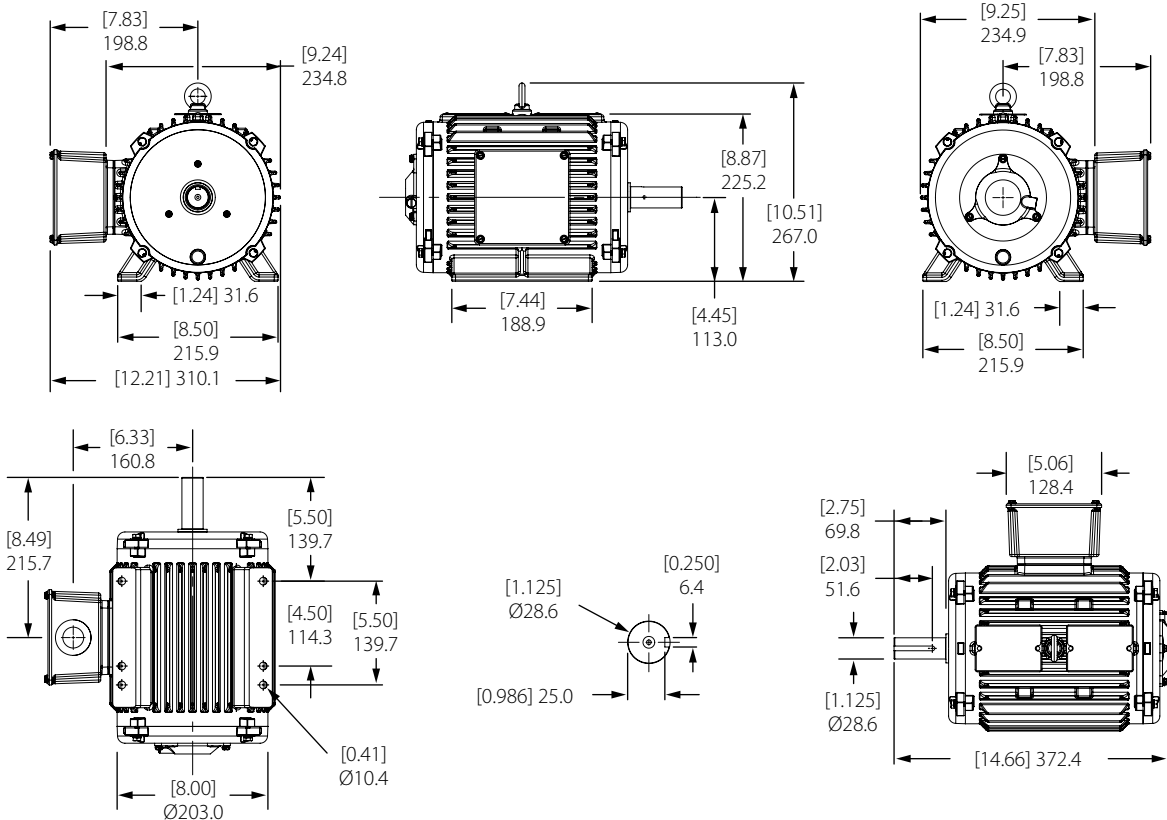
| Model | NTQPM-1B-0106-2 | NTQPM-1F-0106-4 | NTQPM-1H-0106-5 |
|-----------------------------|----------------------------------|----------------------------------|----------------------------------|
| Rated Power (HP) | 1.0 | 1.0 | 1.0 |
| Phases | 3-Phase | 3-Phase | 3-Phase |
| Drive Supply Voltage | 220-240 VAC | 440-480 VAC | 550-600 VAC |
| Rated Full Load Amps | 2.6 | 1.3 | 1.1 |
| Rated Efficiency | 92.5 | 92.5 | 92.5 |
| Rated Torque (Nm) | 11.9 | 11.9 | 11.9 |
| Rated Speed (RPM) | 600 | 600 | 600 |
| Rated Frequency (Hz) | 30 | 30 | 30 |
| Maximum Speed (RPM) | 800 | 800 | 800 |
| Service Factor | 1.15 | 1.15 | 1.15 |
| Frame Size | 182T/184T | 182T/184T | 182T/184T |
| Enclosure | TENV | TENV | TENV |
| Weight | 105 lbs | 105 lbs | 105 lbs |
| Maximum Winding Temperature | 130 °C | 130 °C | 130 °C |
| Insulation Grade | Class F | Class F | Class F |
| Ambient Temperature Rating | -25 to 40 °C | -25 to 40 °C | -25 to 40 °C |
| Ingress Protection | IP 41 Standard IP 54 Optional | IP 41 Standard IP 54 Optional | IP 41 Standard IP 54 Optional |

C-Face, JM-Type, JP-Type available

Dimensions

182T/184T

[in] mm



All Dimensions Nominal

For more information, visit the NovaTorque website, www.novatorque.com